

FEATURES

- Compact high torque Digga manufactured gearbox
- Digga designed Eaton motor with integrated pressure relief valve eliminating the need for bulky valve blocks while reducing many potential leak points
- 2 Piece shaft design ensures maximum side load ratings without increasing load on bearings
- 5 year gear box and 3 year motor warranty / lifetime shaft pull-out warranty
- Over 30 years design and manufacturing experience
- Agricultural bucket mount available



	SINGLE SPEED			
MODEL	DDD	1DSS	2DSS	3DSS
Torque ft-lbs @ 3000 Psi	745	1,467	2,254	2,829
Max Torque ft-lbs @ 3500 Psi	869	1,712	2,630	3,300
Recommended Flow (Gpm)	4-12	6-16	10-26	10-30
Motor Type	EATON	EATON	EATON	EATON
Max Pressure - Do Not Exceed	3500psi @16gpm			
Max Flow - Do Not Exceed	30gpm @1800psi			
Max Horse Power	33	33	33	33
Pressure Relief Valve	N/A	N/A	N/A	N/A
Standard Output Shaft	2" Hex	2" Hex	2" Hex	2" Hex
HALO (Auger Alignment)	Optional	Optional	Optional	Optional
Recommended Auger	A4 / RC4	A4 / RC4	A4 / RC4	A4 / RC4
Max Drilling Diameter Clay/shale**	12"	12"	24"	24"
Max Drilling Diameter Earth**	20"	24"	30"	30"
Weight (lbs)	91	101	123	123
Overall Length (in)	22.25"	24.5"	25.9"	25.9"
Diameter (in)	7.4"	7.4"	9.4"	9.4"



OUTPUT SPEED & TORQUE

DDD				1DSS				2DSS				3DSS			
OUTPUT SPEED		OUTPUT TORQUE		OUTPUT SPEED		OUTPUT TORQUE		OUTPUT SPEED		OUTPUT TORQUE		OUTPUT SPEED		OUTPUT TORQUE	
GPM	RPM	PSI	FT-LBS	GPM	RPM	PSI	FT-LBS	GPM	RPM	PSI	FT-LBS	GPM	RPM	PSI	FT-LBS
2	25	1,500	372	6	38	1,500	734	10	41	1,500	1,127	10	33	1,500	1,414
4	49	1,700	422	8	50	1,700	832	12	49	1,700	1,277	12	39	1,700	1,603
6	74	1,900	471	10	63	1,900	929	14	57	1,900	1,428	14	46	1,900	1,792
8	99	2,100	521	12	75	2,100	1,027	16	65	2,100	1,578	16	52	2,100	1,980
10	124	2,300	571	14	88	2,300	1,125	18	73	2,300	1,728	18	59	2,300	2,169
12	148	2,500	620	16	100	2,500	1,223	20	82	2,500	1,878	20	65	2,500	2,357
		2,700	670			2,700	1,321	22	90	2,700	2,029	22	72	2,700	2,546
		2,900	720			2,900	1,418	24	98	2,900	2,179	24	78	2,900	2,735
		3,200	794			3,100	1,516	26	106	3,100	2,329	26	85	3,100	2,923
		3,300	819			3,300	1,614			3,300	2,479	28	91	3,300	3,112
		3,500	868			3,500	1,712			3,500	2,630	30	98	3,500	3,300

MOUNTING OPTIONS

MOUNTING BRACKETS

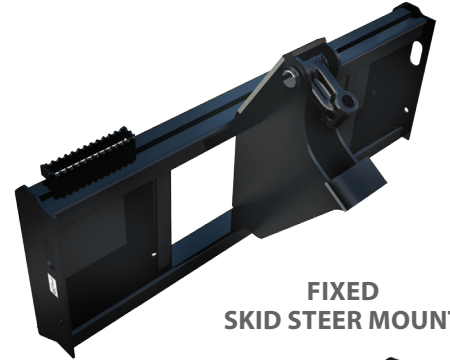
The mounting bracket is the connector between the parent machine and the attachment. Digga manufactures mounting brackets to suit most tractors, skid steer loaders, backhoes and excavators.



AG BUCKET
SIDE MOUNT



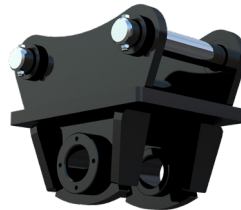
SINGLE AND DOUBLE PIN
EXCAVATOR MOUNTS



FIXED
SKID STEER MOUNT



SIDE SHIFT
AGRICULTURAL
LOADER MOUNT



SIDE SHIFT
SKID STEER MOUNT

AUGERS TO SUIT DDD-3DSS

FEATURES

- TRU-CUT – a 12" auger cuts a 12" hole, no more oversized holes!
- Over 30 years of auger design and manufacture has resulted in an extremely efficient cutting head design and optimum flight pitches to provide maximum soil removal in all ground conditions.
- Made in the USA
- Easy knock in and out teeth requires no special tools

GENERAL PURPOSE AUGER

- Dig holes in earth conditions and clay
- Available Size, 6" to 60"
- 60" Overall length
- Earth and Tungsten Teeth Available



COMBINATION ROCK & EARTH AUGER

- Dig holes in earth conditions, clay, asphalt, concrete and fracturable rock
- All purpose cutting heads - no more interchanging cutting heads & using multiple augers
- Available Size, 6" to 60"
- 60" Overall length

